

TOPFORM II SERIES

ITEM NO.	PART NO.	DESCRIPTION	QTY. PER ASSY.
-	REF FIG 1-21	AIR SCHEMATIC	REF
01	25-12	SHUTTLE GATE	01
02	25-9A	WAIST EXPANSION BRAKE VALVE	01
03	25-17B	0-60 PSI. GAUGE	01
04	25-18	MINI REGULATOR	01
05	25-18A	30 PSI. GAUGE	03
06	25-18N	0-50 PSI. REGULATOR	02
07	25-19	MINI REGULATOR	01
08	47-77	2 STATION AIR VALVE/MANIFOLD ASSY	01
09	47-77A	2 STATION ASSY. REPLACEMENT VALVE	02
10	47-78	6 STATION AIR VALVE/MANIFOLD ASSY	01
11	47-78A	6 STATION ASSY REPLACEMENT VALVE	06
12	800-217A	FRL. ASSEMBLY	01

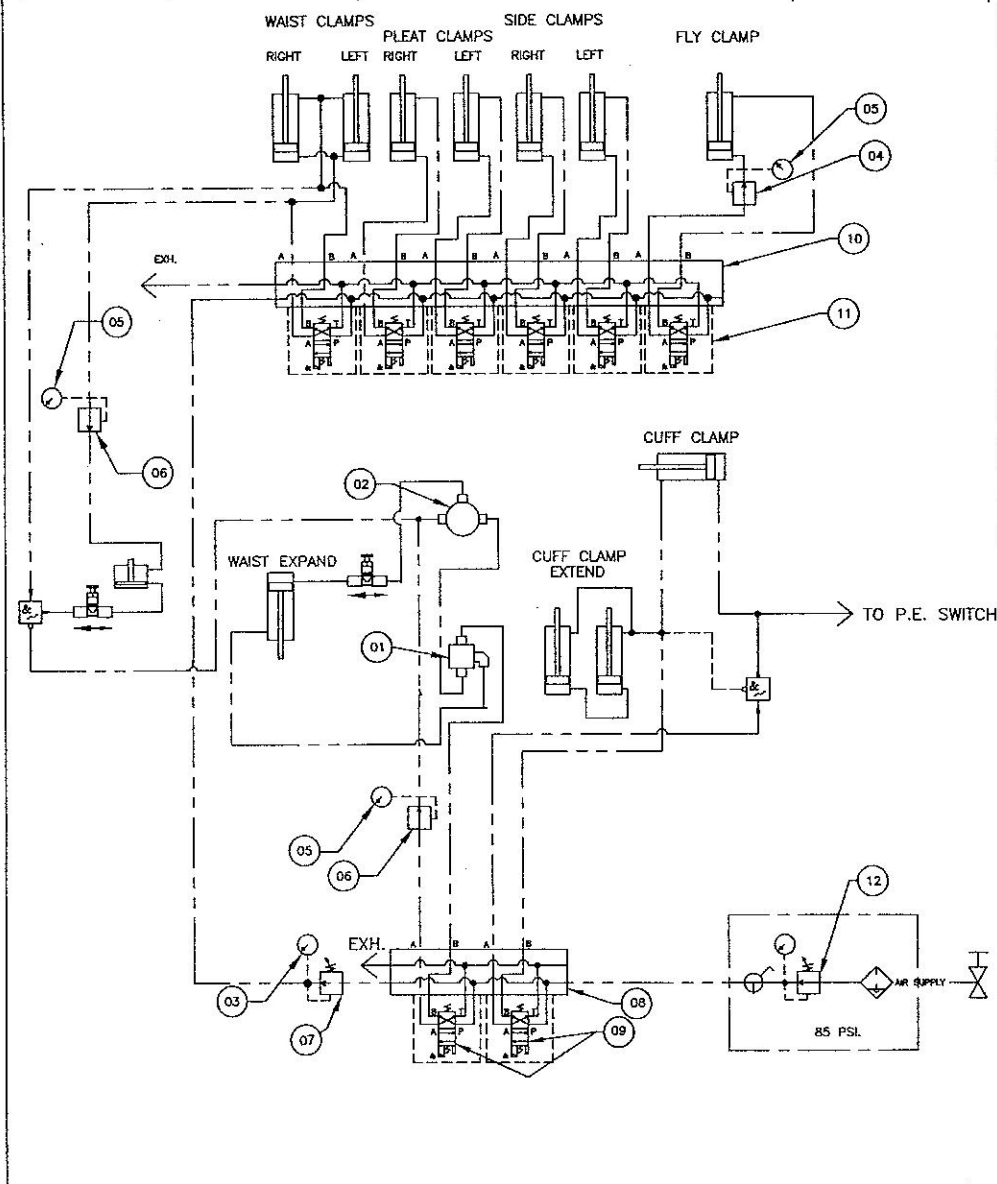


FIGURE 1-21 AIR SCHEMATIC

ITEM NO.	PART NO.	DESCRIPTION	QTY. PER ASSY.
800-217A	REF FIG 1-22	AIR INLET ASSEMBLY	REF
01	6-30	1/4-90° STREET ELBOW	01
02	25-30	QUICK DISCONNECT(MALE)	01
03	25-33D	FILTER REGULATOR	01
04	25-34	160 P.S.I. GAUGE	01
05	47-3	1/4 COMP TO 1/8 MALE 90° ELBOW	01

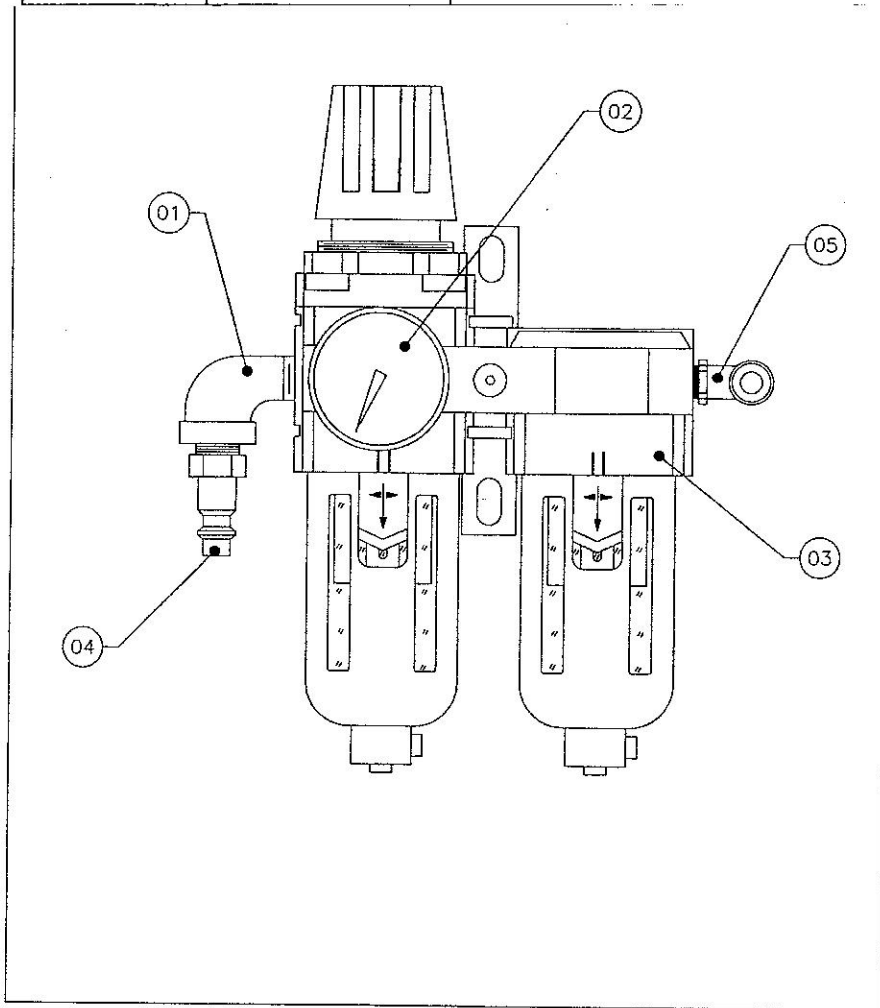
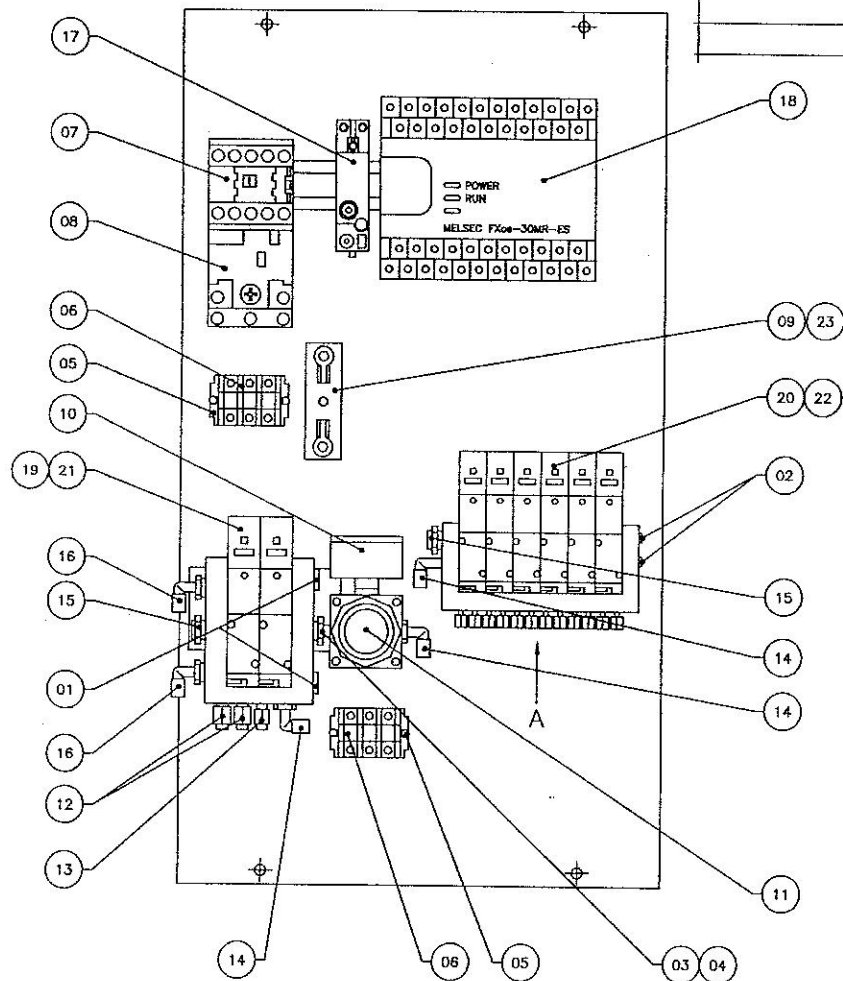


FIGURE 1-22 AIR INLET ASSEMBLY

ITEM NO.	PART NO.	DESCRIPTION	QTY. PER ASSY.
-	REF FIG 1-23	AIR/ELECTRICAL PANEL ASSEMBLY	REF
01	6-2	1/4 PLUG	02
02	6-2A	1/8 PLUG	02
03	6-18	BRASS REDUCER	01
04	6-49	1/8 NIPPLE	01
05	19-14	TERMINAL BLOCK END	02
06	19-15	TERMINAL BLOCK	06
07	19-25	STARTER CONTACTOR	01
08	19-25A	BLOCK OVERLOAD	01
09	19-90	FUSE HOLDER	01
10	25-17B	0-60 PSI GAUGE	01
11	25-19	MINI REGULATOR	01
12	47-1	1/4 X 1/8 NPT STRAIGHT FITTING	02
13	47-8	1/8 X 5/32 NPT STRAIGHT FITTING	13
14	47-13	5/32 X 1/8 90° ELBOW	03
15	47-24	1/4 X 1/4 NPT STRAIGHT FITTING	02
16	47-29	1/4 X 1/4 NPT ELBOW	02
17	47-32	P.E. SWITCH	01
18	47-75	FXO-30 PLC	01
19	47-77	2-STATION AIR VALVE ASSY.	01
20	47-78	6-STATION AIR VALVE ASSY.	01
21	47-77A	REPLACEMENT AIR VALVE	02
22	47-78A	REPLACEMENT AIR VALVE	06
23	19-89	FUSE	01



ITEM NO.	PART NO.	DESCRIPTION	QTY. PER ASSY.
-	REF FIG 1-23A	AIR/ELECTRICAL BOX ASSEMBLY	REF
01	19-45	THRESHOLD VALVE(PLN-D10)	01
02	19-46	THRESHOLD VALVE BASE	01
03	19-74	TOGGLE SWITCH	01
04	19-93	COUNTER	01
05	19-98A	FORMULA SELECT SWITCH	01
06	25-9A	WAIST EXPANSION BRAKE VALVE	01
07	25-12	SHUTTLE VALVE	01
08	25-18A	GAUGE	02
09	25-18N	0-50 PSI REGULATOR	02
10	47-3	1/4 X 1/8 NPT 90° ELBOW	03
11	47-8	1/8 X 5/32 NPT STRAIGHT FITTING	03
12	47-9	5/32 X 1/4 NPT STRAIGHT FITTING	01
13	47-14	5/32 X 1/4 NPT 90° ELBOW	01
14	47-15	5/32 "Y" FITTING	03
15	47-17	5/32 FLOW CONTROL	01
16	47-18	1/4 FLOW CONTROL	01
17	47-29	1/4 X 1/4 NPT 90° ELBOW	04
18	48-2	KEY LOCK SWITCH	01
19	47-24	1/4 X 1/4 NPT STRAIGHT FITTING	01
20	47-25A	1/4 X 1/4 NPT RUN TEE	01
21	47-21	1/4 X 5/32 PLUG IN REDUCER	01
22	47-16E	5/32 INLINE QUICK EXHAUST	01

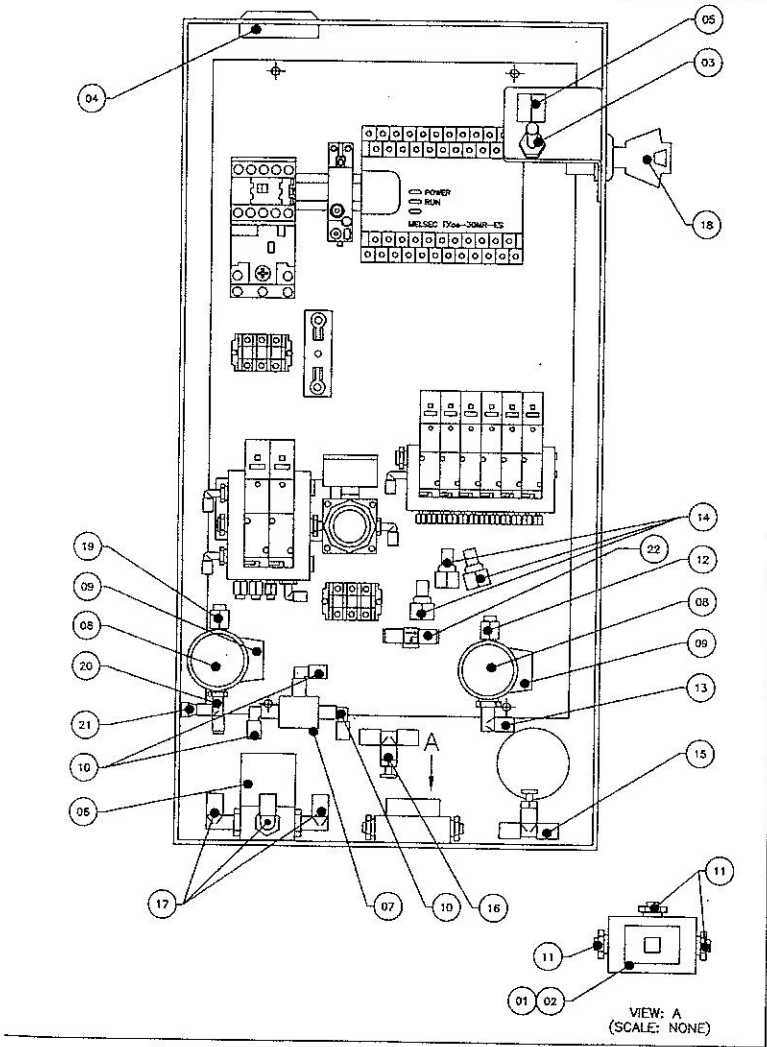
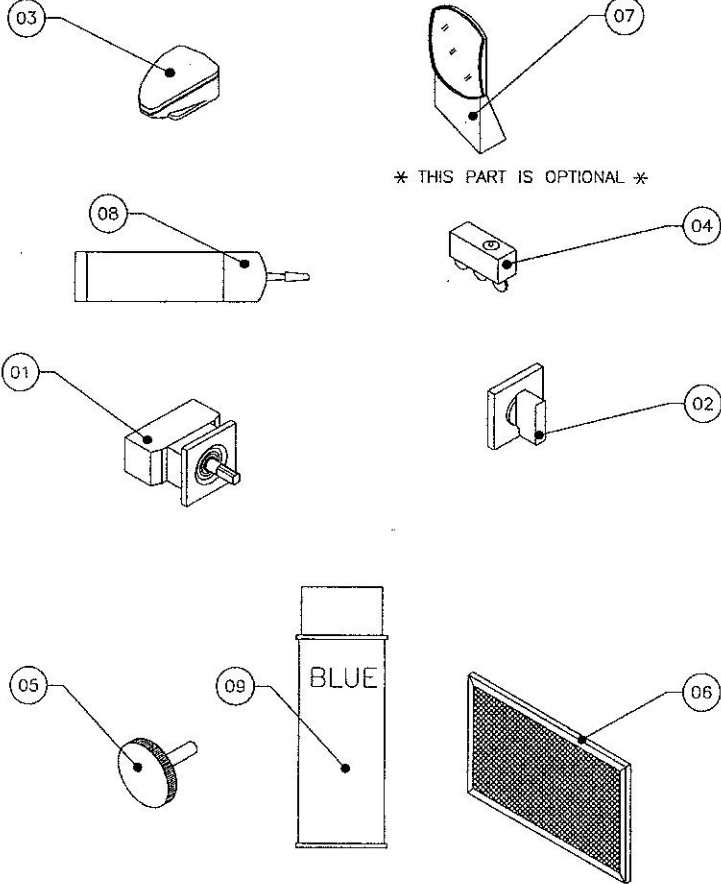


FIGURE 1-23A AIR/ELECTRICAL BOX ASSEMBLY

ITEM NO.	PART NO.	DESCRIPTION	QTY. PER ASSY.
—	REF FIG 1-24	MISCELLANEOUS PARTS	REF
01	19-26	LOAD SWITCH	01
02	19-27	SWITCH PLATE & HANDLE	01
03	19-29	FOOT PEDAL	03
04	19-69	MICRO SWITCH(FOOT PEDAL)	03
05	31-11	1/4-20 FLAT TOP KNOB(FOR FILTER)	01
06	48-7A	FILTER	01
07	800-265A	MIRROR ASSEMBLY(OPTIONAL)	01
08	36-13	TEFLON LUBRICANT	01
09	38-19C	BLUE TOUCH UP PAINT	01



TOPFORM II SERIES

ITEM NO.	PART NO.	DESCRIPTION	QTY. PER ASSY.
-	REF FIG 1-25	STEAM POT ASSEMBLY	REF
01	4-16	3/8 COMP TO 1/4 NPT 90° ELBOW	02
02	4-23	3/8 COMP UNION	02
03	4-26	1/2 COMP TO 1/2 NPT STRT FITT.	01
04	9-24	10-32 X 1/2 TRUSS HEAD SCREW	02
05	800-157A	STEAM POT WELDED ASSY.	01
06	800-161	FRAME SUPPORT	01
07	M3-10	3/8 O.D. X 5" LONG COPPER ROUND	02

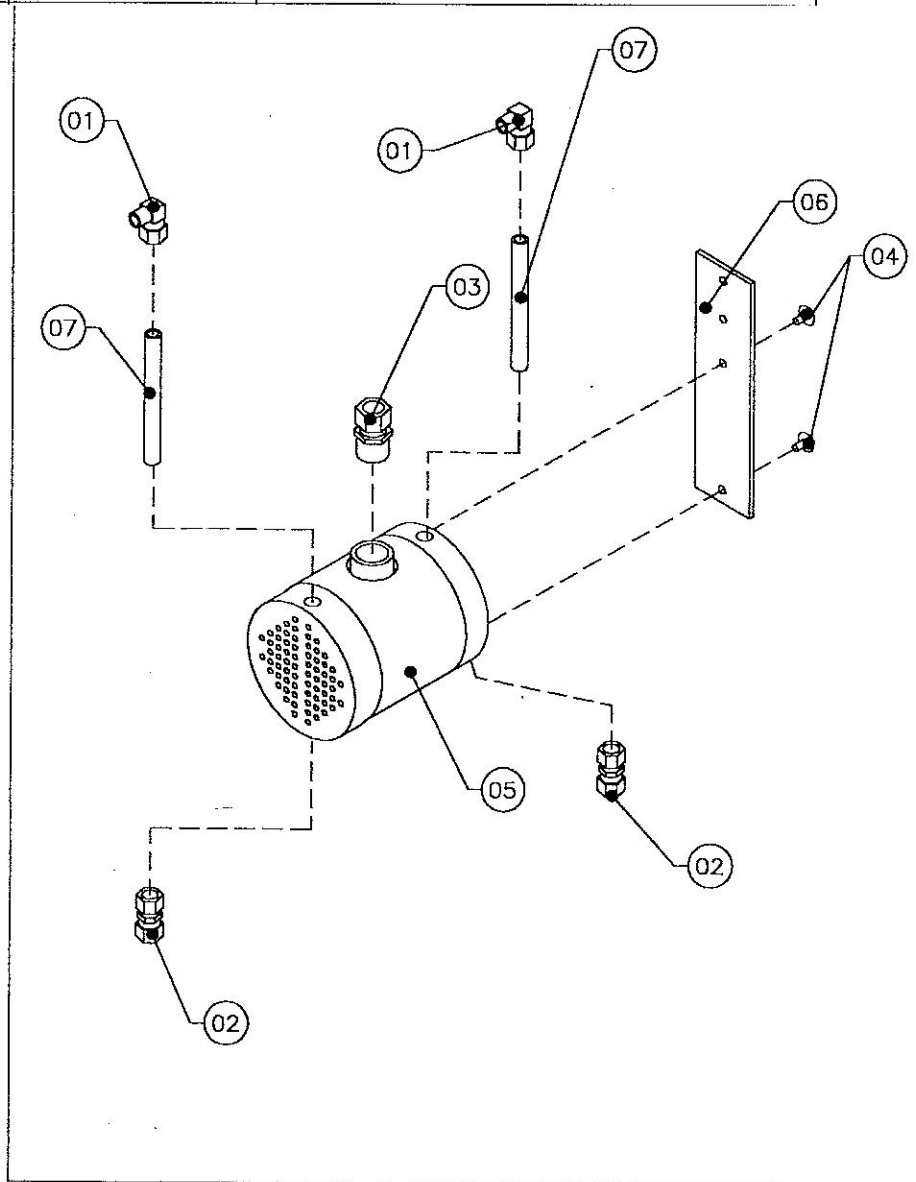


FIGURE 1-25 STEAM POT ASSEMBLY